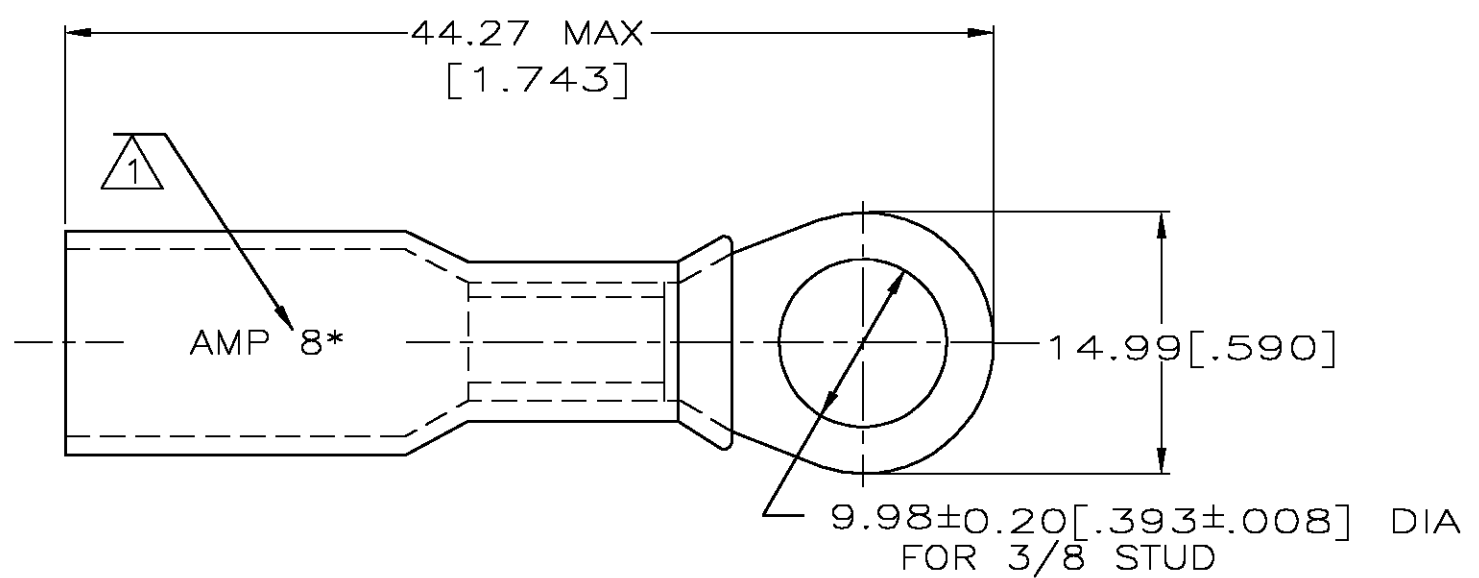


THIS DRAWING IS UNPUBLISHED. RELEASED FOR PUBLICATION .19
 © COPYRIGHT 19 BY AMP INCORPORATED. ALL INTERNATIONAL RIGHTS RESERVED.

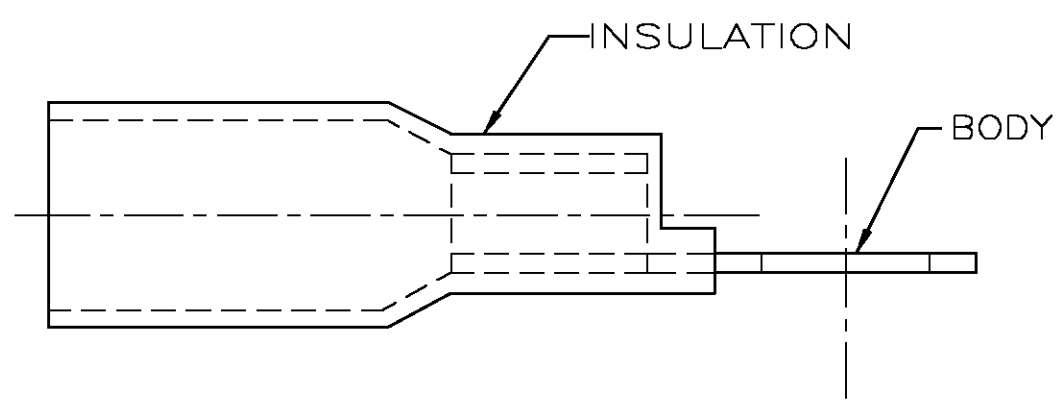
LOC	DIST	P	F	REVISIONS			DATE	APPD
G	14			ZONE	LTR	DESCRIPTION		
					B	REV PER 0G3A-0001-03	07JAN03	JR ME

AMP WIRE RANGE	Listed	Certified
8 AWG STRADED	8 AWG STRADED	8 AWG STRADED

METRIC
 DIMENSIONS LISTED IN mm [INCHES]



- NOTES:
- STAMP AMP 8* APPROX AS SHOWN
 - WIRE INSULATION DIA 7.87mm [.310] MAX
 - TONGUE MATERIAL THK 1.14±0.05mm [.045±.002]



10	LOOSE PIECE	8-55864-5
100	LOOSE PIECE	55864-1
QTY	PACKAGE TYPE	PART NO
DR 6/93 S S GOULDEN	AMP AMP Incorporated Harrisburg, PA 17105-3608	
CHK 6/93 R HERSEY	NAME	
APPD 6/93 B BARE	TERMINAL, RING TONGUE, SEALABLE HEAT SHRINKABLE	
APPD 6/93 M ELLIS	SIZE	CAGE CODE
PRODUCT SPEC	B	00779
APPLICATION SPEC	SCALE	DRAWING NO
WEIGHT	NTS	C -55864
		SHEET
		1 OF 1

AMP INCORPORATED CUSTOMER SERVICE SYSTEMS		MAX RECOMMENDED OPERATING TEMPERATURE: 125° C MAX
FOR ADDITIONAL PRODUCT INFORMATION OR COPIES OF DRAWINGS AND TECHNICAL DOCUMENTS	PRODUCT INFORMATION CENTER 1-800-522-6752	VOLTAGE RATING: 600V MAX (BUILDING WIRING) 1000V MAX (FIXTURES & SIGNS)
FOR APPLICATION TOOLING INFORMATION	TOOLING ASSISTANCE CENTER 1-800-722-1111	CIRCULAR MIL AREA: 6.64-10.54mm ² [13100-20800] STRADED
FOR ORDER ENTRY	1-800-526-5142	THIS DRAWING IS A CONTROLLED DOCUMENT FOR AMP INCORPORATED. IT IS SUBJECT TO CHANGE AND THE CONTROLLING ENGINEERING ORGANIZATION SHOULD BE CONTACTED FOR THE LATEST REVISION.

DO NOT SCALE PRINT. UNLESS SPECIFIED
 DIMENSIONS IN mm [INCHES]
 TOLERANCES ON:
 2 PLC DEC ± 0.20[.008]
 3 PLC DEC ± -
 ANGLES ± -
 MATERIAL
 BODY: ETP COPPER
 INSULATION: POLYOLEFIN
 COLOR: RED
 FINISH
 EDP TIN PLATED